

ELEKTRISOLA

Enamelled Wire

Spools and Packaging

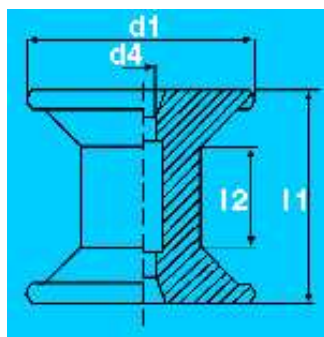
America

Diagram 1: Biconical Spool/Superspool

Spools and Packaging

American Spools and Packaging

Biconical Spool/Superspool



Spool Designation	d1	d4	l1	l2	Nominal Net Weight/Spool	AWG Range	units per box
	inch	inch	inch	inch	pound		
HK 76/45	2.50"	0.63"	3.40"	2.36"	0.66 lbs	46 to 58	6
3S	3.15	0.63	3.94	2.76	1.5 lbs	39 to 54	4
4S	3.94	0.63	3.94	1.85	3 lbs	39 to 52	6
5S	4.92	0.63	4.92	2.25	5 lbs	39 to 50	6
5SL	4.92	0.86	7.88	5.50	8 lbs	39 to 50	4
6S	6.30	0.63/0.86	6.30	2.88	12 lbs	38 to 46	4
8S*	7.88	0.86	7.88	3.64	22 lbs	37 to 43	2
10S*	9.84	0.86	9.84	4.45	55 lbs	37 to 42	1

Metric

Spool Designation	d1	d4	l1	l2	Nominal Net Weight/Spool	mm Range	units per box
	mm	mm	mm	mm	kgs	mm	
HK 76/45	63.5	16	86	60	0.30 kgs	0.010 - 0.040	6

3S	80	16	100	70	0.68 kgs	0.015 - 0.089	4
4S	100	16	100	49	1.36 kgs	0.020 - 0.089	6
5S	125	16	125	65	2.27 kgs	0.025 - 0.089	6
5SL	125	22	200	140	3.63 kgs	0.025 - 0.089	4
6S	160	22	160	85	5.44 kgs	0.045 - 0.102	4
8S*	200	22	200	106	10 kgs	0.056 - 0.114	1
8SL	200	22	315	221	20 kgs	0.056 - 0.114	1
10S*	250	22	250	132	25 kgs	0.064 - 0.114	1